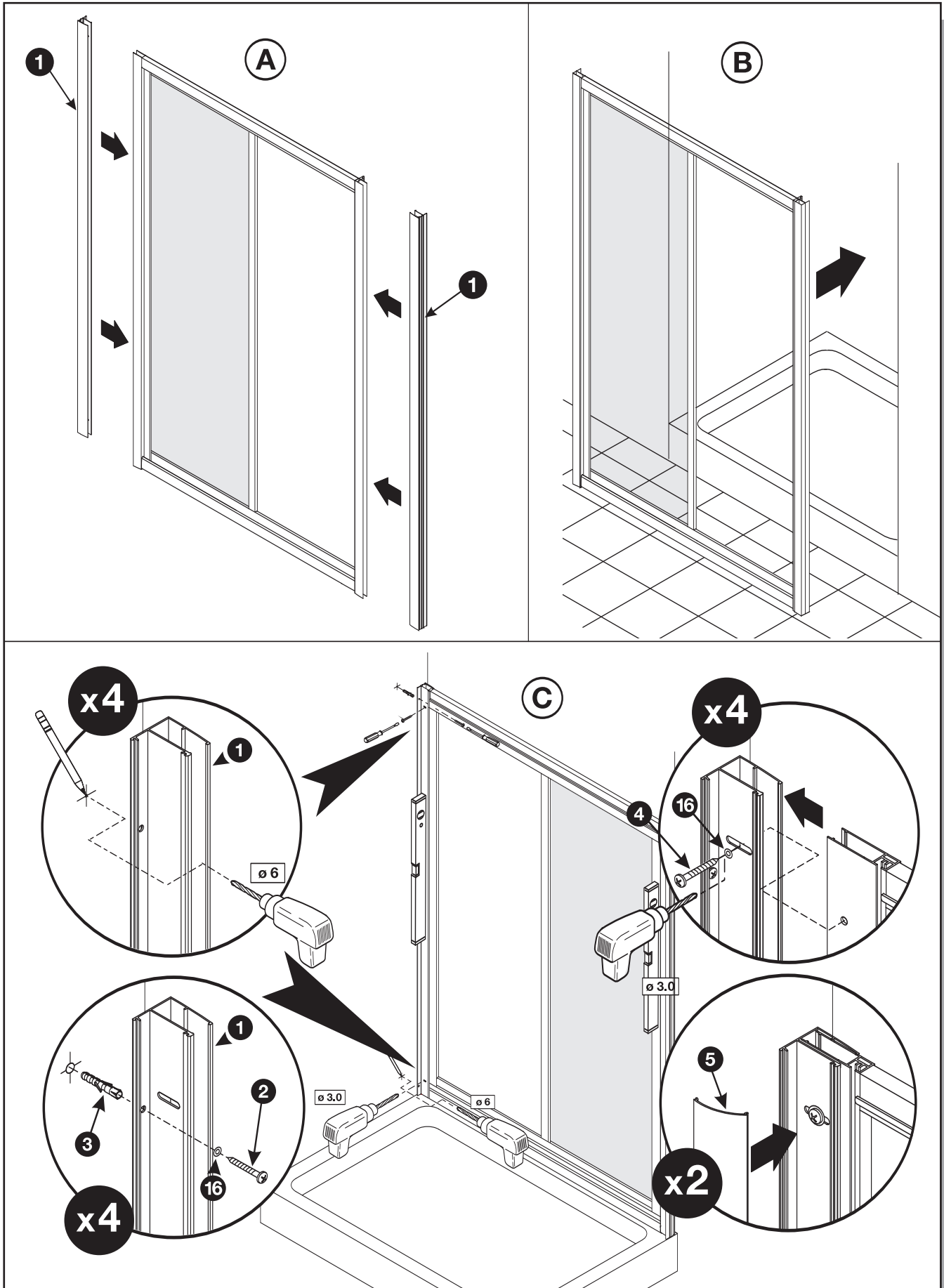
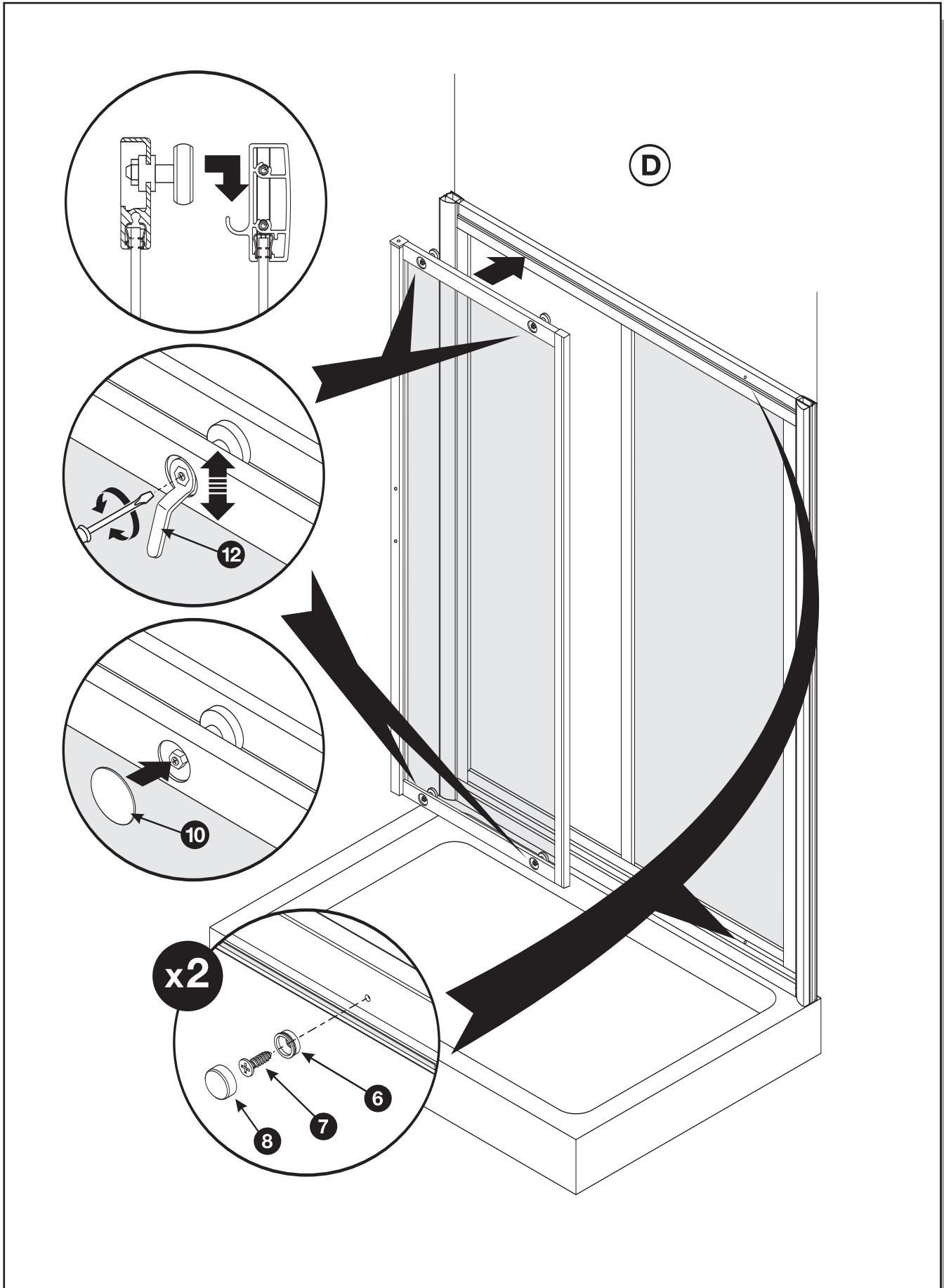
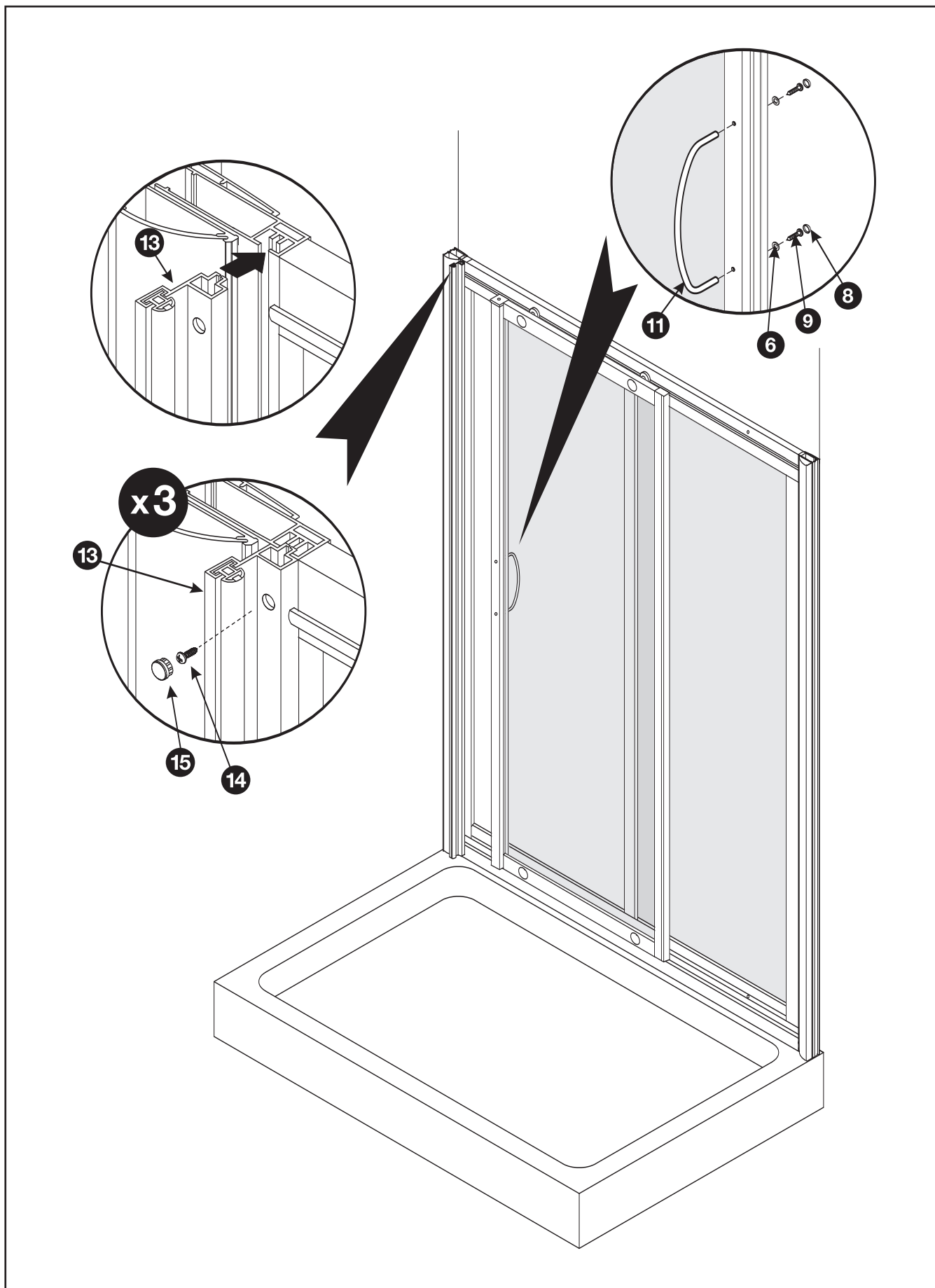


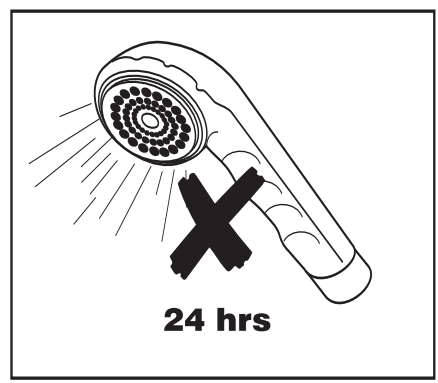
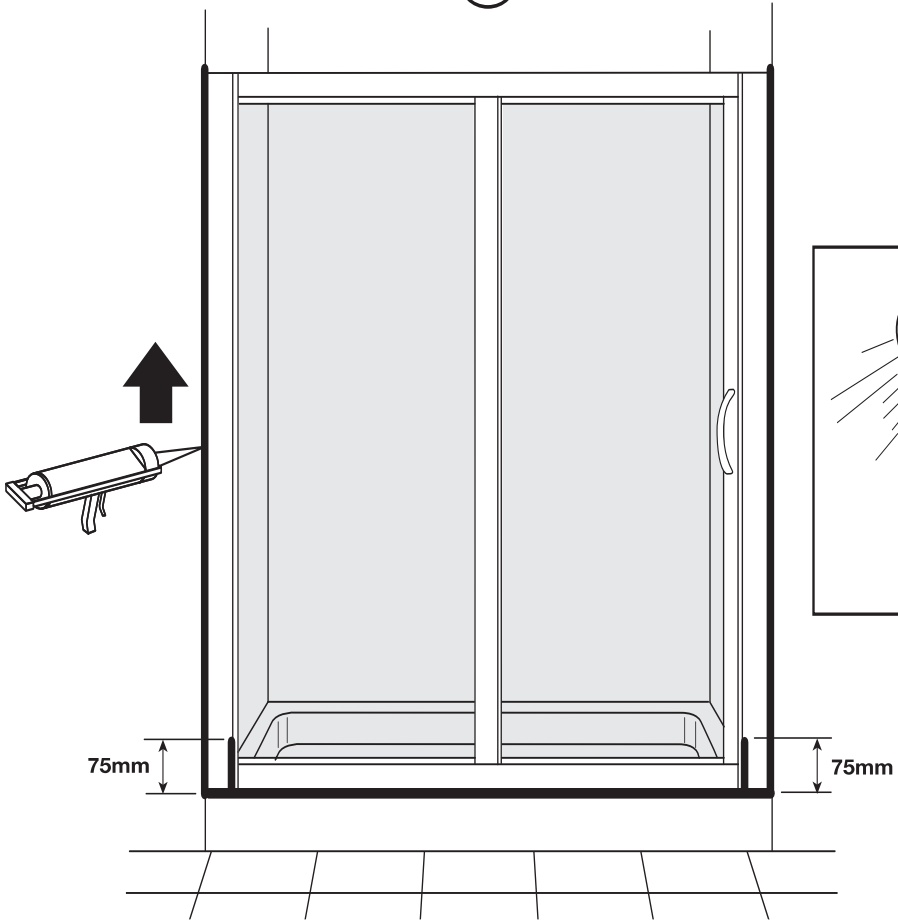
TIPICA - PSC







(F)



- | | | | | | |
|---------------|---------------|-----------|---------------|-----------|-----------|
| | TC 3.9x32 | ø6 | TC 3.9x13 | | |
| 1 | 2 | 3 | 4 | 5 | 6 |
| TC 3.5x13 | | M4x25 | | | |
| 7 | 8 | 9 | 10 | 11 | 12 |
| | | | | | |
| 13 | 14 | 15 | 16 | | |